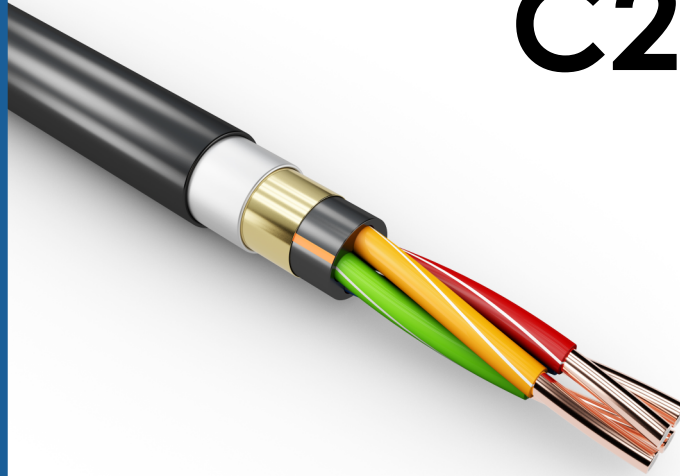




GENVOLT

Multi Conductor Cable

C2187



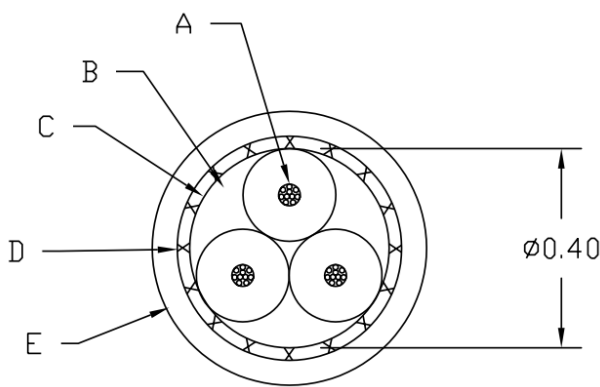
High Voltage
Multi Conductor Cable



C2187

30kV_{DC} / SILICONE DIELECTRIC / 3 CONDUCTOR SHIELDED

CONSTRUCTION



KEY

- A. 3 X #20 AWG (10/#30 AWG) TIN PLATED COPPER SILICONE RUBBER TO Ø0.186 INCH
- B. FILLER MATERIAL
- C. SEMICON TAPE, 0.005 WALL, HALF LAPPED
- D. SHIELD, #34 AWG TIN COPPER, 85% COVERAGE
- E. JACKET, BLACK TPR, 0.050 WALL

TECHNICAL INFORMATION

Voltage kV (DC)		30	Voltage kV (AC)		10
Number of Conductors		3	Outside Diameter	Inches	0.400
				cm	1.016
AWG		#20	Impedance	ohms	55
Strands		10/30 TC	Capacitance	pF/ft	33
Insulation		Silicone	Min Bend Radius	Inches	3.00
Semicon Diameter		N/A		cm	7.62
Dielectric Insulation	Material	Silicone	Min Ambient Temp	°F	-60
	Diameter (in)	0.186		°C	-51
	Diameter (cm)	0.470	Max Conductor Temp	°F	220
Shield	Construction	#34 TC Braid		°C	104
	AWG Equiv	#13	Weight	lb/ft	0.090
	Coverage %	85%		kG/m	0.134
	Semicon	tape	Jacket Material	TPR	

GLOBAL PRESENCE



UK Office:

Genvolt, New Road, Bridgnorth, Shropshire, WV16 6NN, United Kingdom

Tel: +44 (0) 1746 862 555

Email: info@genvolt.co.uk Website: www.genvolt.com

India Office:

Genvolt India Private Limited

806, Suratwala Mark Plazzo, Hinjewadi Village, Hinjewadi, Pune, Maharashtra - 411057, India

Email: supportindia@genvolt.co.uk Website: www.genvolt.in

Research and Development:

Genvolt Ltd

New road, Bridgnorth, Shropshire, WV16 6NN

Factories:

Genvolt Ltd

New road, Bridgnorth, Shropshire, WV16 6NN

Boher High Voltage Power Supplies Ltd (Genvolt China)

No. 79 Yandangshan Road, Suyu District, Suqian City, Jiangsu, China